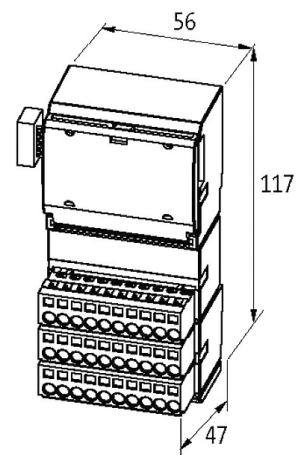


CUBE20 AO4 U/I

Expansion module
AO4 - (E) U/I

Illustration

Product may differ from Image

Approvals**Internal communication**

Module supply	via system connection
Current consumption	max. 25 mA from system, max. 90 mA externally (UI), idle load

Output

Conversion time (analog)	max. 1 ms (per channel)
Resolution (analog)	15 Bit + sign
Accuracy	max. 0.5%
Galvanic isolation	500 V DC between inputs and internal communication

Connections

Fieldbus	Ribbon cable connection
Sensor-system/actuator supply	4× spring clamp plug-in terminals, max. 2.5 mm ² (max. 12 A)
I/O ports	24× spring clamp plug-in terminals, max. 2.5 mm ²
General data	
Protection	IP20
Mounting method	DIN-rail mountable (EN 60715)
Temperature range	0...+55 °C (storage temperature -20...+85 °C)
Dimensions H×W×D	117×56×47 mm
Diagnostic	
Communication status	via LED
Diagnostic via LED	per module and channel
Diagnostic via BUS	per module and channel
Monitoring - under voltage	yes
Monitoring - no voltage	no
Short-circuit and overload	yes
Actuator warning	per channel via LED and BUS
Wire break upper/lower limit overload	per channel via LED and BUS
Voltage output signals	
Load	min. 1 k Ω , (EN 61131-2)
Input range	±10 V DC, 0...10 V DC
Current outputs	
Load	max. 60 Ω (EN 61131-2)
Input range	0...20 mA, 4...20 mA
Commercial data	
country of origin	DE
customs tariff number	85176200
EAN	4048879049207
eClass	27242601
Packaging unit	1